

# MAVERICK GENERATORS

## Features:

- Digital control system with LCD display
- Maintenance-free battery with isolator switch
- Canopy with all-steel structure, strong and corrosion resistance
- Vibration isolators between the engine/alternator and base frame
- Integrated wiring design, in safety
- Base fuel tank for at least 8 hours running
- Equipped with an industrial class muffler
- Customization engine, designed for generators
- Equipped with 50°C radiator for all-weather
- Top lifting and steel base frame with forklift holes
- Drainage, radiator, engine oil.
- Complete protection functions and safety labels
- IP54 (soundproof sets), IP56 (control system)

## Genset Ratings and Performance Data:

Open type	<b>XC-33</b>	
Silent type (Soundproof)	<b>XC-33S</b>	
Engine Brand	<b>FAWDE</b>	
Engine Make & Model:	4DX21-45D	
Alternator Model:	JET184G	
Excitation Mode	Self-excitation	
Control System:	Digital Panel HGM420	
Noise Level@7m:	75—85db	
Frequency & Phase:	50Hz & 3 Phase	
Power Factor:	0.8	
Rated speed:/r/min	1500	
Fuel Tank Capacity: L	Open	70
	Silent	70
Fuel Consumption: l/hr (100% Load)	Prime	5.2
	Standby	5.8

Standard

**ISO 8528**



Design complies with ISO 8528 and GB/T2820-2009 Specification

## Output Rating:

**50Hz**

Genset Model	Prime		Standby	
	KVA	KW	KVA	KW
XC-33/S	30	24	33	26.4

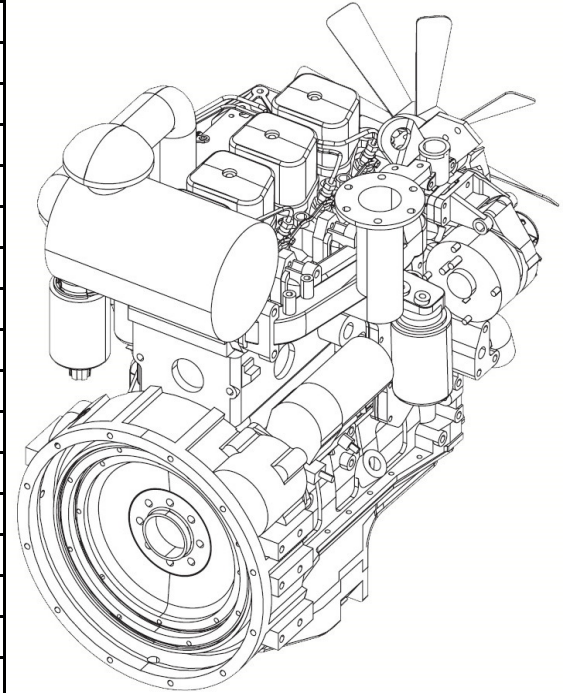
3-phase ratings at 0.8 power factor.

1-phase ratings at 1.0 power factor.

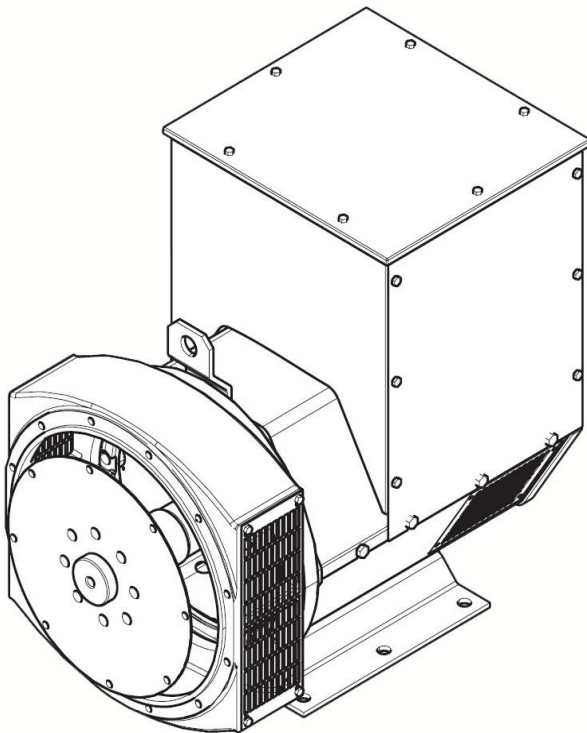
Rated Voltage (V)	Rated Current (A)
380	45.6

## Engine specification:

Engine Manufacturer/Brand	FAWDE
Model	4DX21-45D
Continuous Power (KW)	33
Standby Power (KW)	36.3
Number of Cylinders	4
Engine type	In-Line 4 Cycle, Water Cooled
Aspiration	Turbo-charged
Rotating speed	1500rpm
Engine cooling system	Water cooled
Speed governing system	Mechanical
Starting method	12V DC
Displacement (L)	3.86
Type of Fuel	Diesel
Fuel Consumption(100%load)	5.2L/h
Bore×Stroke(mm)	102x118
Compression ratio	16.0 : 1
Lube capacity (L)	8
Type of Oil	15W40-CF4
Standardization	ISO3046, DIN6271



## Alternator specification:



Alternator manufacturer/Brand	JET POWER
Alternator technology	Stamford Technology
Alternator model	JET184G
Alternator prime power (KW)	25
Alternator prime power (KVA)	31
Voltage V (optional)	120/230/240/380/400/415/440/480
Alternator frequency (Hz)	50/60
Excitation Mode	Brushless with AVR
Cooling fan	Cast alloy aluminum
Windings	100% copper
Insulation class	H Class
Winding pitch	2/3
Connect terminals	12
Drip proof	IP23
Altitude / Ambient temperature	≤ 1000m / ≤ 40°C
Overspeed	2250 RPM
Voltage regulation	±1.0%
Total harmonic	TGH / THCat no load < 1.5 % - on load < 5%
Telephone Interference	THF<2%;TIF<50
Standardization	GB755, VDE0530, NEMA ,MG1-22, MG1-32, IEC34, AS1359,GSA C22-100

# Control System HGM420

HGM420 series genset controllers integrate digitization, intelligentization and network technology which are used for genset automation and monitor control system of single unit to achieve automatic start/stop, data measurement, alarm protection and “three remote” (remote control, remote measuring and remote communication; SG485 module must be fitted).

It fit with LCD display, optional languages interface (Chinese, English, Spanish, Turkish, Russian and French), and it is reliable and easy to use.



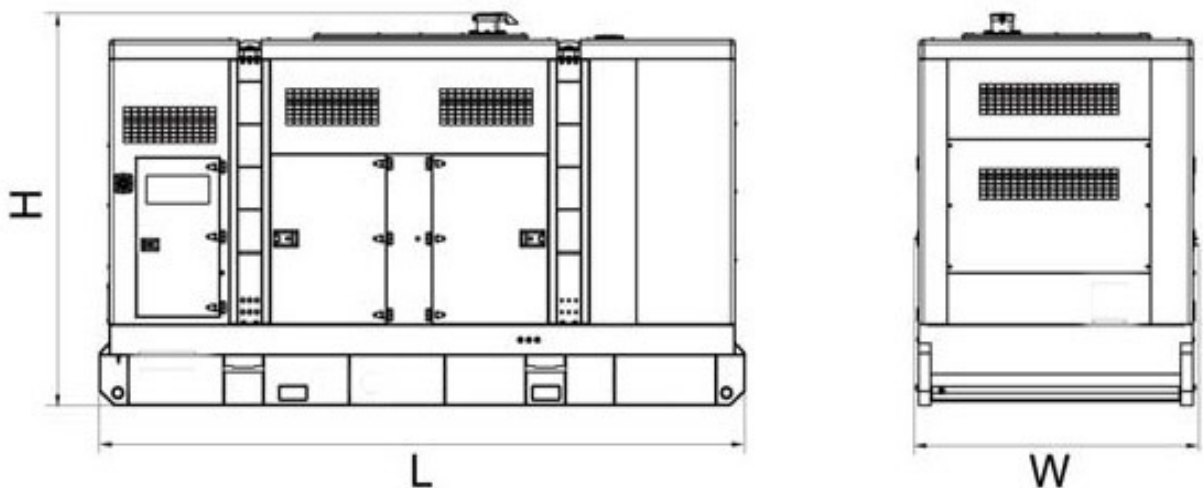
## FEATURES

- Microprocessor control, with high stability and credibility
- Monitoring and measuring operational parameters of the mains supply and genset
- Indicating operation status, fault conditions, all parameters and alarms
- Multiple protections; multiple parameters display, like pressure, temp. etc.
- Manual, automatic and remote work mode selectable
- Real time clock for time and date display, overall runtime display, 250 log entries
- Overall power output display
- Integral speed/frequency detecting, telling status of start, rated operation, overspeed etc.
- Communication with PC via RS485 OR RS232 interface, using MODBUS protocol

Digital, intelligent control system allows easier operation.

## Dimensions and Weights:

### Silent Type



Genset Model	Length (L) mm	Width (W) mm	Height (H) mm	Weights Kg
XC-33S	2200	1050	1150	1150

Dry = With Lube Oil Wet = With Lube Oil and Coolant

The weights are approximate and without fuel, only for your reference